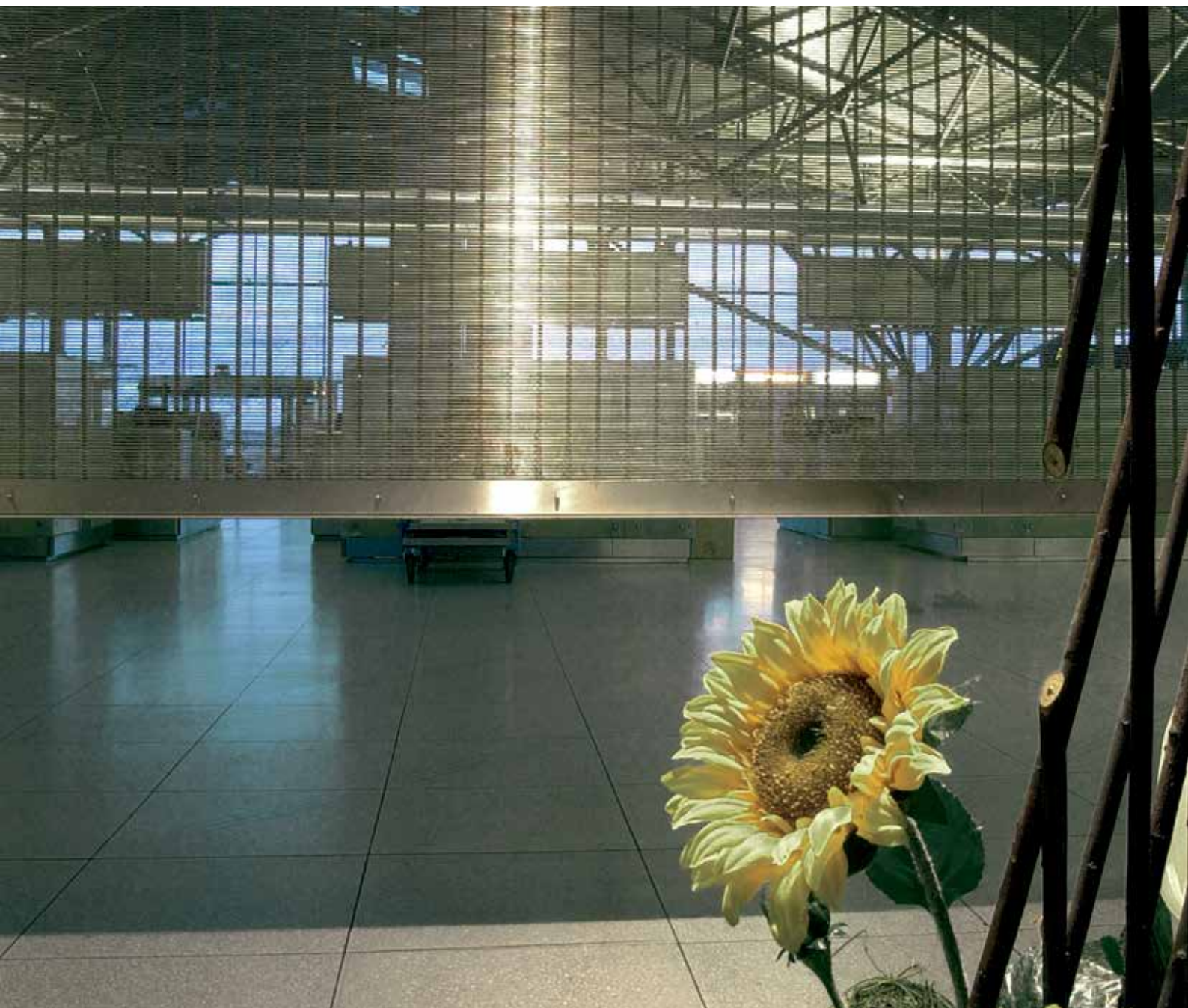


ROLLER SHUTTERS

SAFETY MADE OF METAL MESH



SAFELY LOCKED UP WITH METAL MESH

Roller shutters and doors made of GKD metal mesh impress with both their aesthetics and functionality. They effectively protect segregated areas from unauthorized access or serve as an optical access barrier. Depending on the model chosen, both systems are suitable for indoor or outdoor use. Despite their apparent lightness, the roller shutters and doors made of GKD metal mesh are sturdy and durable building components.

Thanks to their transparent appearance, our GKD metal meshes grant a view of the rooms behind it. In this way they help create an overall sense of space especially for interior applications. The degree of transparency can be defined by the type of mesh used. The transparent aesthetics can be further highlighted by a specially matched illumination concept. All roller shutters and doors made of GKD metal mesh are motorized



Picture 1: Roller shutter in a canteen, Münster, architect: Vervoorts & Schindler Architekten, Bochum, mesh: Tigris, ©GKD/Holtkötter / Picture 2: Shopping Mall,

and can be operated fully automatically or individually. They are both suitable for pedestrian and vehicle traffic. The optimized lateral guides ensure that the shutters slide down smoothly. As they employ stainless steel, these systems are easy to clean using standard commercial non-abrasive cleaners (see also: GKD Cleaning and Maintenance Instructions).

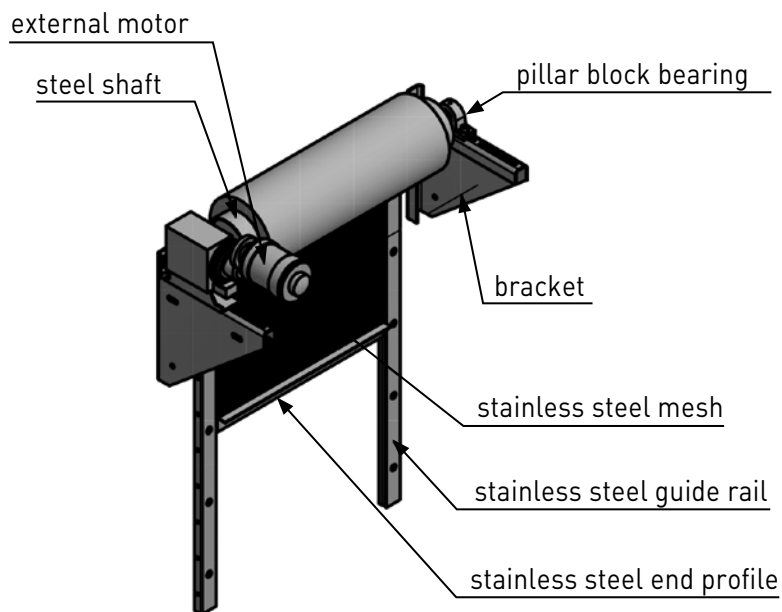
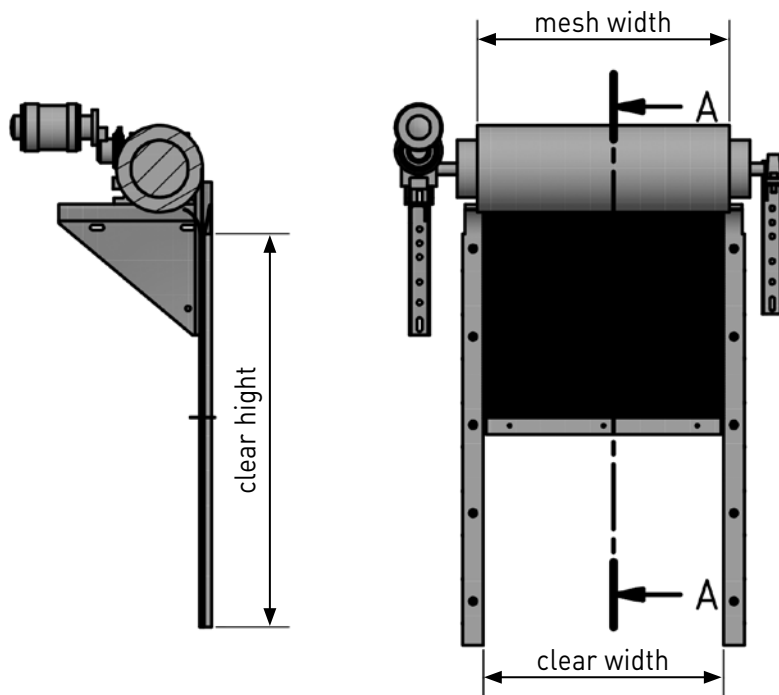
ADVANTAGES AT A GLANCE:

- ideal for shops, garages and entrance areas
 - various mesh types
 - widths from 2 to 8 m and a maximum height of 5 m – suitable for indoors and outdoors
-



Pforzheim, mesh: Tigris, ©GKD/Gögelein

SYSTEM OVERVIEW



MESH AND PERFORMANCE SPECIFICATION

Clear width of up to 8 m, clear height of up to 5 m*

Mesh types:	Lago, Sambesi, Tigris
Shaft:	Steel shaft
Motor:	External motor up to 750 Nm, 3~380V (other motor versions on request)
Control system:	Wall switch or automated with light curtains
Wind class:	2
Guides:	Stainless steel
End profile:	2x stainless steel angle 60x40x3

Scope of delivery:

- Metal mesh fully assembled with end section, stainless steel
- 2 standard brackets, 1 pillar block
- Stainless steel guide with PVC rails
- GfA external drive with digital limit switches; motors by other suppliers (also tube motors) on request
- Dead man's control with connection cable and CEE plug
- Metal mesh wrapped around a shaft, Packaging (cardboard)
- Optional: Reflection light barrier

The main features according to DIN EN 13241-1 are documented by relevant test certificates.



Mesh: Lago



Mesh: Sambesi



Mesh: Tigris

* Higher elements on request

GKD – GEBR. KUFFERATH AG
 Metallweberstraße 46
 52353 Düren
 Germany
 T +49 (0) 2421 803 - 0
 F +49 (0) 2421 803 - 227
 creativeweave@gkd.de
 www.gkd.de

GKD - GEBRÜDER KUFFERATH AG

As a privately owned technical weaving mill, we are the world market leader in woven solutions made of metal and plastic. Under the slogan GKD – WORLD WIDE WEAVE, our company groups four independent business divisions: **SOLIDWEAVE** (industrial mesh), **WEAVE IN MOTION** (process belt mesh), **CREATIVEWEAVE** (architectural mesh) and **TRANSPARENT MEDIA FAÇADES**. GKD continuously develops new fields of applications with manufacturing technology and process expertise. We use GKD meshes to create efficient systems, equipment and components integrated perfectly in the customer's process across all industry sectors. With seven plants in Germany (headquarters), USA, United Kingdom, South Africa, China, India and Chile, GKD is close to the markets all over the world. More subsidiaries and worldwide representatives are also available to our customers in France, Spain, Dubai, Qatar and elsewhere.

BUSINESS DIVISION: CREATIVEWEAVE

Under the **CREATIVEWEAVE** brand GKD combines over twenty years of experience with a wide variety of architectural and design meshes. The scope of application is characterised by outstanding aesthetic and functional features: facades are transformed into shimmering building shells, that become sun protection systems with an improved energy balance or semi-transparent wind and rain filters. Sound-absorbing ceilingsystems with improved room acoustics, semi-transparent room dividers structure areas and media facade systems project colour transitions or high-resolution content onto facades day and night. Alongside custom manufacturing, GKD offers system components that comply with standards. Since the beginning of the 1990's GKD has become a growing force in internationally outstanding architectural projects. designers benefit from the company as a creative source of inspiration and a technical innovator.

GKD - PRODUCTS AND SERVICE CLOSE TO OUR CUSTOMERS, ALL OVER THE WORLD.

- 01 GKD GERMANY, Düren (HQ)
- 02 GKD UK, North Yorkshire
- 03 GKD FRANCE, La Roque d'Anthéron
- 04 GKD SPAIN, Barcelona
- 05 GKD USA, Cambridge, MD
- 06 GKD LATIN AMERICA, Santiago de Chile
- 07 GKD SOUTH AFRICA, Randfontein
- 08 GKD INDIA, Jaipur
- 09 GKD CHINA, Beijing
- 10 GKD MIDDLE EAST, Dubai
- 11 GKD MIDDLE EAST, Doha

